

# CH7260 Metal Pro Series

Drive Hex Head, Truss Head and Wafer Head screws automatically. Muro provides the fastest, safest and most economical system for driving screws...even while standing up!

## Product Characteristics

- Screws are perfectly placed & torqued every time without striping in thin gauge metals.
- CH7260 Series has been designed for both wall & roof/floor applications.
- 25 screw per clip...load quickly - no waste.
- Significantly reduce labor...on every job!



## Applications

- Roof decks & stitching
- Floor decks
- Wall panels
- Trailer side walls



**MURO NORTH AMERICA INC.**

7 Tilbury Court, Brampton, ON Canada L6T 3T4

[info@muro.com](mailto:info@muro.com) 1-800-665-6876 [www.muro.com](http://www.muro.com)

## CH7260 Series - Models

Tool	CH7260	CH7263LR	CH7264	CH7265
Material Guide	Wood to Metal	Wood to Metal	Metal to Metal	Metal to Metal
Screw Range	1-1/4" - 1-1/2"	3/4" - 1"	3/4" - 1"	1-1/4" - 1-1/2"

Options: L – light spring for wall applications (not for hex screws)  
R – rubber nose for non marring applications

## 5/16" Hex Head Fasteners - Self Drilling

Product Code	Tool	Box Quantity	Size	Description
J50034BMP-14	CH7264	2000	#10 X 3/4"	Bright Zinc
J50100BMP	CH7264	2000	#10 X 1"	Bright Zinc
J52034BMP-14	CH7264	2000	#12 x 3/4"	Bright Zinc
J52100BMP-14	CH7264	2000	#12 x 1"	Bright Zinc
J52114BMP-T5	CH7265	1500	#12 x 1-1/4"	TEK 5, Bright Zinc
J52114CMP-T5	CH7265	1500	#12 x 1-1/4"	TEK 5, Coated

## Wafer Head Screws - Self Drilling - No. 2 Square Drive

Product Code	Tool	Box Quantity	Size	Description
WS0034BMP	CH7263LR	2000	#10 x 1"	Bright Zinc
WS0100BMP	CH7263LR	2000	#10 x 1"	Bright Zinc
WS0114BMP	CH7260	2000	#10 x 1-1/4"	Bright Zinc
WS0112BMP	CH7260	1500	#10 x 1-1/2"	Bright Zinc
WS0112BMP-R	CH7260	1500	#10 x 1-1/2"	with Reamer, Bright Zinc

## Pancake Head Screws - No. 2 Square Drive

Product Code	Tool	Box Quantity	Size	Description
NS0100TMP	CH7263LR	2000	#10 x 1"	Ext. Coated Zinc, Sharp Point
NDS0100TMP	CH7263LR	2000	#10 x 1"	Ext. Coated Zinc, Self Drill
NS0112TMP	CH7260	1500	#10 x 1-1/2"	Ext. Coated Zinc, Sharp Point
NS0112TMP-W-CL	CH7260	1500	#10 x 1-1/2"	Ext. Coated Zinc, Self Drill
NDS0112TMP-W-CL	CH7260	1500	#10 x 1-1/2"	Ext. Coated Zinc, Self Driller, Sealing Washer

## Side Wall Screws - Self Drillers - No. 2 Square Drive

Product Code	Tool	Box Quantity	Size	Description
SS0100BMP	CH7263LR	2000	#10 x 1"	Locking Head, Bright Zinc
SS0114BMP	CH7263LR	2000	#10 x 1-1/4"	Locking Head, Bright Zinc
THD0034CMP	CH7263LR	2001	#10 x 3/4"	Truss Head, Double Sqr, Ext. Coating

Bits: SQR26000 / PHL26000 / HEX56340

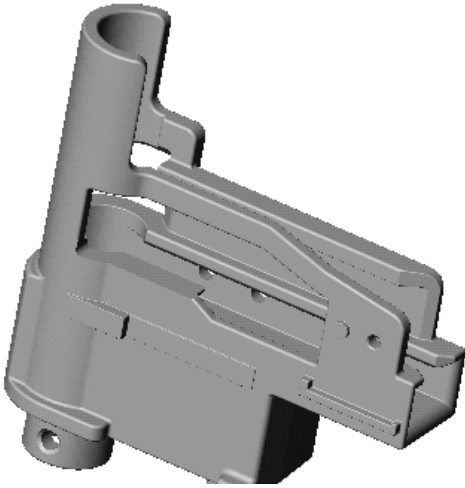


**MURO NORTH AMERICA INC.**

7 Tilbury Court, Brampton, ON Canada L6T 3T4

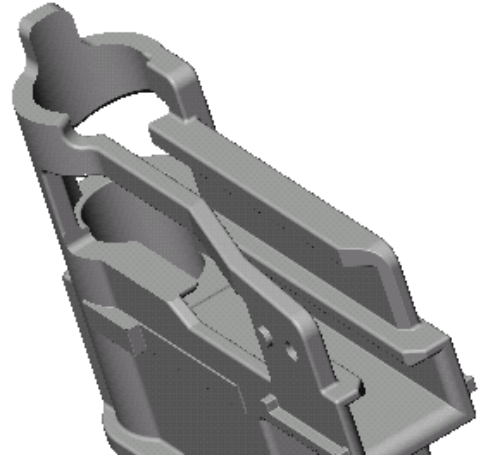
[info@muro.com](mailto:info@muro.com) 1-800-665-6876 [www.muro.com](http://www.muro.com)

# CH7260 – Model Summary



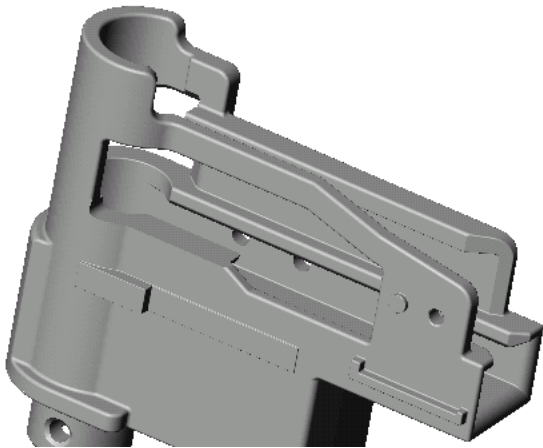
**CH7260**

Wood to Metal - drives screws 1-1/4 to 1-1/2 inches long with minimized marring (also vertical wall hex apps where chips can fall clear).



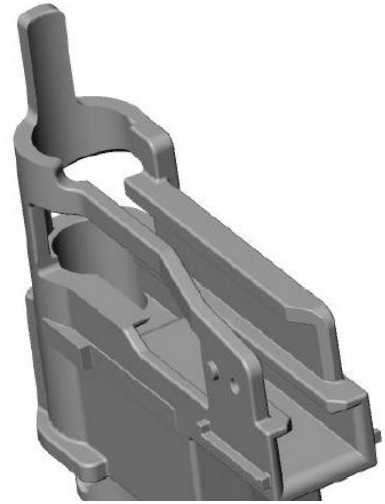
**CH7264**

Metal Applications – drives screws 3/4 to 1 inch long with clearance for metal chips, Stitching, General Hex tool.



**CH7263**

Wood to Metal - drives screws 3/4 to 1 inch long with minimized marring (also vertical wall hex where chips can fall clear)



**CH7265**

Metal Applications – drives screws 1-1/4 to 1-1/2 inches long with clearance for metal chips, decking, etc.

Options for the CH7260 & CH7263:

- L – light spring for non-hex...wall applications.
- R – rubber nose for non marring applications.



**MURO NORTH AMERICA INC.**

7 Tilbury Court, Brampton, ON Canada L6T 3T4

[info@muro.com](mailto:info@muro.com) 1-800-665-6876 [www.muro.com](http://www.muro.com)