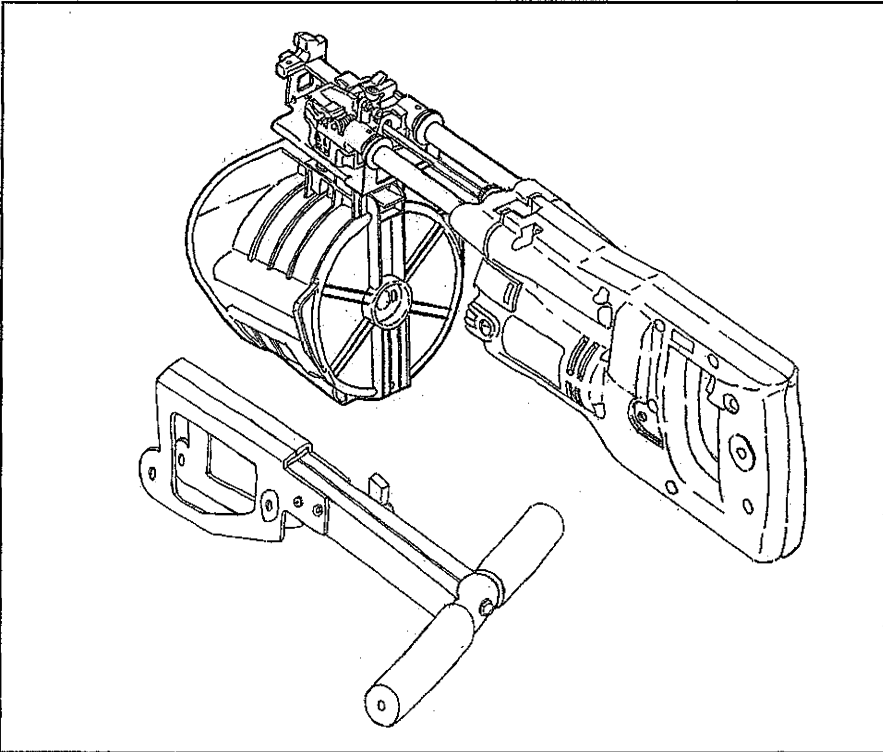


MURO

AUTO FEED SCREWDRIVING TOOL

VISLIDER VL62U Type EF

INSTRUCTION MANUAL



Thank you for your wise choice of the **VISLIDER** continuous screwdriver.
Before use, carefully read the safety, operating, maintenance and other instructions
to operate your machine safely and efficiently. Keep this instruction manual in a safe
place for future reference.

MURO CORPORATION

The **VISLIDER** is a high-performance continuous screwdriver. Together with the specific "**VISROPE**" screws, the Vislider helps you screw down floorings and roofings efficiently and safely.

Contents

	Page
1 Safety precautions	2
2 Double insulation for safe use of the VISIDER	4
3 Names of parts	4
4 Specifications	5
5 Standard accessories	5
6 Preparations	5
7 Using the switch and button	6
8 Bit turning direction	6
9 Changing the bit	6
10 Setting up the magazine	8
11 VISROPE screws	8
12 Setting the VISROPE screws	8
13 Removing the VISROPE screws	9
14 Setting the adjusting plate	10
15 Adjusting the guide cover	10
16 Adjusting the tightening depth	10
17 Attaching the rod handle	11
18 Tightening the screws	12
19 Preventive maintenance	12
20 Warranty	13

! WARNING

Indicates a potentially hazardous situation which, if not avoided, may result in minor, moderate or serious injury.

1. Safety precautions

(1) Use the VISLIDER for its specified applications only.

- * Never employ the unit for any other purposes than specified in this instruction manual.

(2) Keep your workplace tidy and clean.

- * Putting things in order is the first step to safety.
Keep your workbench and worktable orderly and well lit

(3) Bear the condition around the workplace also in mind.

- * Do not use the unit in the rain, in humid or wet places, or where it is directly exposed to water and oil. Humidity may cause an electric shock and degrade the motor's insulation
- * The power tool might strike a spark during use. Do not use the unit in an atmosphere with flammable liquid or gas
- * Keep out anybody else from the workplace

(4) Wear proper work cloths.

- * Do not wear a loose-sleeved shirt, gloves, necktie necklace, etc. which may get caught by the unit's moving parts.

(5) Wear protective goggles.

- * Flying fragments, as well as screws that might be by any chance poorly driven and spring up, are dangerous to your eyes.
Not only the operator but also everybody nearby should wear protective goggles.

(6) Use the specified accessories and attachments.

- * Do not attach anything other than the accessories and attachments that are specified in this instruction manual and the related catalog. An accident or injury may result.

(7) Be sure to check up the unit before each use.

- * Check the casing and other parts for damage. Start the unit to see if it functions as specified.
- * Check also the following points: moving parts' positions and tightness, damaged or ill-fitted parts, and other critical components.

(8) Be sure to remove all adjusting tools off the unit.

- * Before turning on the power, make sure that a wrench and other tools, used for adjustment, are detached from the unit

(9) Be careful not to allow the unit to start accidentally.

- * Before plugging in the power cable, make sure the trigger switch is off.
- * Do not carry the unit with your finger on the trigger switch, when on power

(10) Be sure that the supply voltage is as specified.

- * Do not use the unit at a supply voltage above rated, or the motor will run dangerously faster
Use at a lower supply voltage may also adversely affect the motor performance or get it in trouble.
If a trouble happens, immediately turn off the trigger switch, unplug the power cable and contact your dealer or our sales office.

(11) Handle the power cable carefully.

- * Do not hold the power cable when carrying the unit, nor catch the power cable when unplugging
- * Keep the power cable away from anything hot, oily or edgy

(12) Use an outdoor-use extension cable.

- * If used outdoors, employ an outdoor-use extension cable.
- Relation between conductor's nominal sectional area and maximum cable length.

Conductor's nominal sectional area	Maximum cable length
0.75 mm ²	20 m
1.25 mm ²	30 m
2.0 mm ²	50 m

(13) Run the unit with safety first in mind.

- * Operate the unit at its specified capacity to work safely and efficiently

(14) Position yourself securely.

- * Keep yourself on a solid foothold and well balanced.

(15) Work with the unit with enough attention.

- * Strictly follow the safety and operating instructions and be careful about the condition around you
- * Do not work with the unit when you feel tired

(16) Maintain the unit at regular intervals.

- * Follow the instruction manual to lubricate the unit and replace necessary accessories
- * Check the power cable periodically for damage. Contact your dealer or our sales office for repairs
- * When you use an extension cable, check it also for damage at regular intervals. Replace it with new one as required
- * Keep the grip dry, clean and free of oil and grease.
Tightening screws accompanies a powerful turning force and reaction force. Hold the grip tightly

(17) In any of the following cases, turn off the trigger switch and unplug the power cable.

- * After use or before repairs.
- * Before replacing a part or changing the bit or other accessory.
- * If something unusual happens

(18) Check the entire unit for damaged parts.

- * Follow the instruction manual in replacing or repairing a damaged part.
- * For any troubles not discussed in this manual, ask your dealer or our sales office for repairs
- * If the trigger switch fails, contact your dealer or our sales office for repairs
- * Do not use the unit if the trigger switch does not work to start or stop the unit

(19) Ask an authorized dealer for repair of the unit.

- * This product is designed to meet its related safety requirements. Do not tamper with the unit.
- * Be sure to contact your dealer or our sales office for repairs.
The unit, if repaired by an unqualified person, may fail to prove itself and/or result in an accident or injury.


(20) Remember your local noise rules and regulations.

- * Noises may be regulated under national laws or local ordinances.
It is necessary to operate the unit below the specified noise level. Set up noise barriers, depending on the situation, to avoid annoyance to neighbors

2. Double insulation for safe use of the VISLIDER

The VISLIDER is double-insulated for surer safety of use

This means that two different insulators are laid between the current-carrying conductor and the casing that comes in contact with the user.

Such double-insulated power tools are marked with "  ". In this safety design, even if one of the two insulators gets damaged, the other still protects you against electric shocks.

The casing of the double-insulated VISLIDER is made of a highly insulating, shock-resistant resin. Note the following points to keep the double insulation construction intact for longer safe use.

- (1) Do not replace the casing with that of different type. Nor reassemble it in the wrong way. Otherwise the double-insulation effect may be adversely affected. Contact your dealer for repairing or replacing any electrical component parts.
- (2) Chlorine solvent, gasoline, thinner and the like affect plastics. If the casing is dirty, dip cloth in soapy water and wipe the casing clean with it.
- (3) After a long time of use, dust builds up inside the motor and reduces the insulation effect. Contact your dealer for dusting off the motor and checking its insulation at regular intervals.

! WARNING

While in use, hold the insulated grip. Do not touch any metallic parts.

3. Names of parts

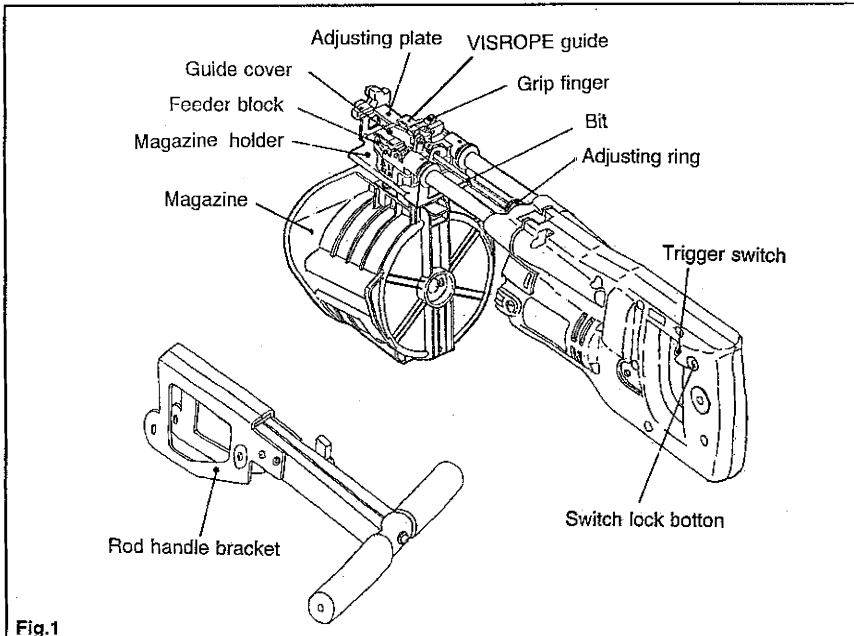


Fig.1

4. Specifications

VISLIDER VL62-EF specifications

Type	EF	
Applicable VISROPE screw dimensions	Length (mm)	45.0~75.0
	Nominal dia (mm)	5.0~ 6.0
	Head dia (mm)	10.0~12.0
Overall length	mm	481
Weight	kg	2.8
No-load turning speed	r/min	Depending on models
Working voltage	V	115
Current	A	3.8

No-load turning speed by models

models	Turning speed
VL62U-08-EF	800 r/min
VL62U-12-EF	1200
VL62U-17-EF	1700
VL62U-23-EF	2300
VL62U-28-EF	2800
VL62U-41-EF	4100

5. Standard accessories

- (1) Square bit, No 3, 204 mm (built in the unit): 1 pc
- (2) Magazine
- (3) Rod handle
- (4) Hex wrench 2.0 mm: 1 pc
Hex wrench, 2.5 mm: 1 pc
Hex wrench, 3.0 mm: 1 pc.
- (5) Single-ended wrench M4: 1 pc

6. Preparations

(1) Supply power

Run the unit on the AC power voltage (never on DC power) stated on the nameplate. If used at too high a voltage, the motor will run dangerously faster. Use at too low a voltage may adversely affect the motor performance or get it in trouble.

(2) Trigger switch (Figs. 1 and 2)

Pull the trigger to turn on the switch and release it to turn off the switch. To avoid an accidental start, make sure that when the trigger is released, the switch comes back to its original position. Before plugging in the power cable, be sure that the switch is off. Otherwise the motor will get started suddenly, resulting in a serious accident.

(3) Checking the bit turning direction (direction selector) (Figs. 1 and 3)

Set the direction selector to the "F" position, and the bit turns clockwise (when viewed from the grip) to tighten a screw. At the "R" position, the bit turns counterclockwise to loosen and remove a screw.

(4) Checking and replacing the bit (Figs. 1 and 4)

The unit is standard equipped with the No.3 Square head bit. Be sure to check the bit for anything

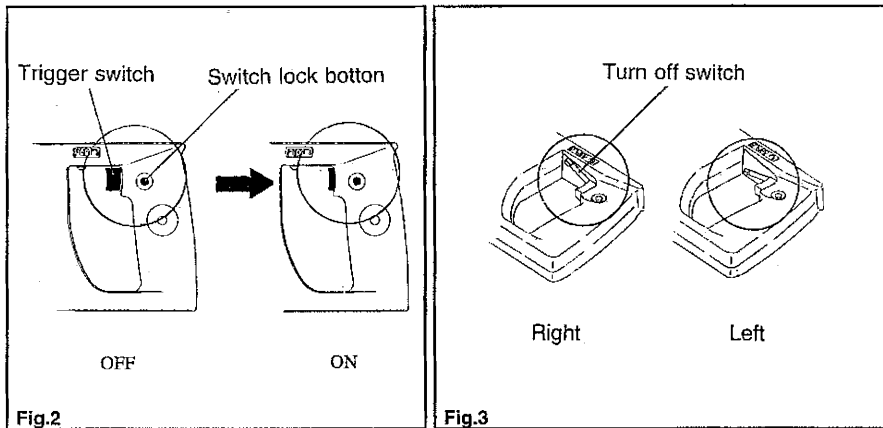
unusual. If worn out, the bit may fail to tighten up screws. Check this point before every use and replace the bit earlier as required. For the bit replacement procedure, follow the instructions in this booklet.

7. Using the switch and button (Fig. 2)

- (1) For continuous operation, pull the trigger and press down the switch lock button. The switch stays on even if the trigger is released. Pull the trigger again to release the switch lock button and release the trigger to turn off the switch.
- (2) When the switch is turned on, the motor gets started, but the bit does not turn. Apply and press the bit to the head of a screw, and the bit starts turning to tighten the screw.

8. Bit turning direction (Fig. 3)

Set the direction selector to the "F" position, and the bit turns clockwise (when viewed from the handle) to tighten a screw. At the "R" position, the bit turns counterclockwise to loosen and remove a screw.



! CAUTION

While the motor is running, never attempt to change the bit turning direction. The motor may otherwise get in trouble. Before changing the direction, be sure to turn off the motor.

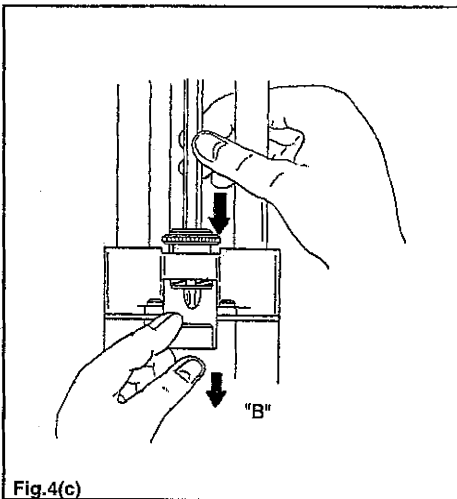
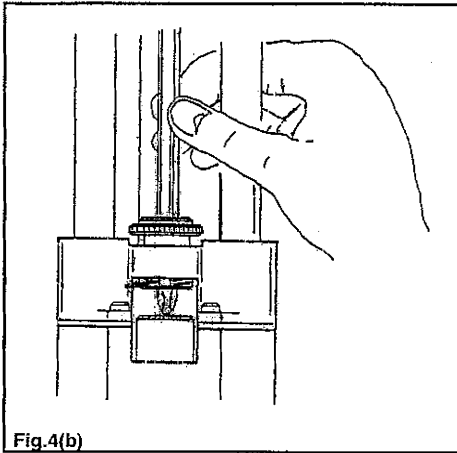
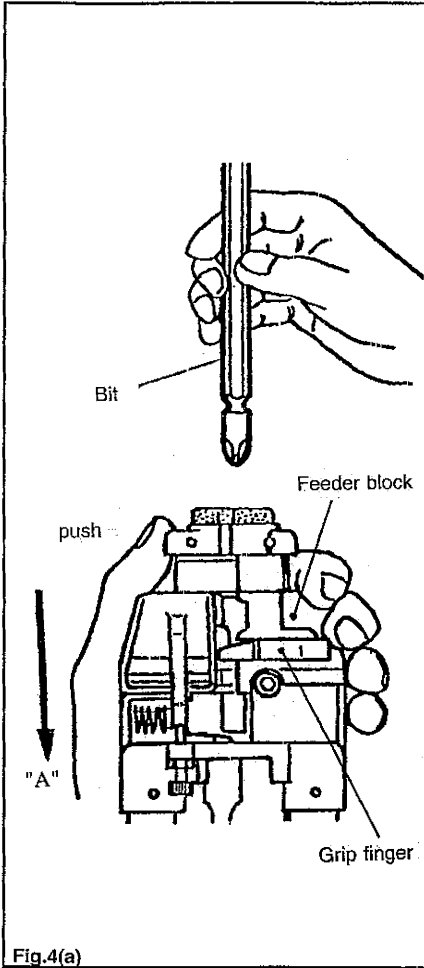
9. Changing the bit (Fig. 4)

- (1) Be sure to use the No. 2 (150 mm) bit and No. 8 (145mm) socket that fits the recessed screw head. (Square bit : No. 3, 204mm, Other : No. 2, 206mm)
- (2) Setup
 - a Move the feeder block about 20 mm in the direction of arrow A. Put the bit through the center hole of the feeder block and fit it into the sleeve's hex hole.

- b. Holding the bit by hand, return the feeder block to its initial position
- c. Push the sleeve about 4 mm in the direction of arrow B until the bit hits against the bottom. Now return the sleeve, and the bit is secured. Finally be sure that the bit is tight in position.

(3) Removal

Push in the sleeve about 4 mm in the direction of arrow B, and press down the feeder block 30 mm in the direction of arrow. Holding the sleeve by hand, return the feeder block to its initial position and the bit comes off the sleeve. Press down the feeder block again to draw out the bit.



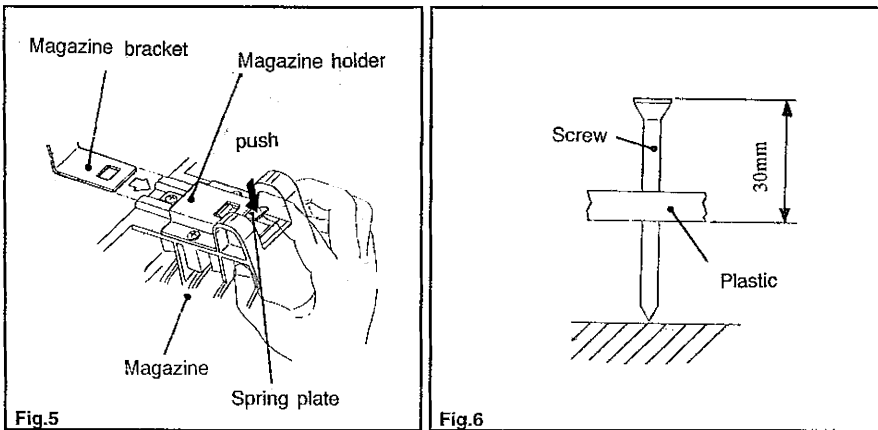
! CAUTION
Before changing the bit, be sure to turn off the switch and unplug the power cable for added safety.

10. Setting up the magazine (Fig. 5)

Fit and push the magazine holder into the magazine bracket until it clicks. To remove the magazine, press the spring plate with a finger and pull and unlock the magazine in the direction of arrow. For efficient work in narrow space or at corners, it is advisable to detach the magazine, cut the **VISLIDER** screws to length and apply the **VISLIDER** to them. The cut resin ropes are slippery: keep them away.

11. "VISROPE" screws (Fig. 6)

The joint positions depend on the **VISROPE** screw length. Accordingly the **VISLIDER** must be adjusted according to the screw length.



12. Setting the VISROPE screws (Figs. 7 and 8)

- (1) Gently push the stopper of the magazine cover with a finger to open the cover.
- (2) Place the **VISROPE** screws so that the screw head is visible. Stretch the **VISROPE** end out of the screw outlet, close the magazine cover, and while gently lifting the stopper knob, place the cover back into position. Make sure the cover is tightly closed.
- (3) Insert the **VISROPE** end into the groove (that fits screws in use) between the feeder block and the guide cover. Then insert the **VISROPE** plastic exactly into the **VISROPE** guide.

The **VISROPE** stops just one screw long from the bit center. Holding the **VISROPE** by hand, press down the feeder block about 30 mm in the direction of arrow A. Release the block and the first screw will appear at the bit center. As the work goes on, the **VISROPE** comes up along. If you find it to long and disturbing your work, cut it to length. When setting up the **VISROPE**, make sure the first **VISROPE** screw has come off for the **VISROPE** plastic to go into the **VISROPE** guide.

(Figs. 8 and 9)

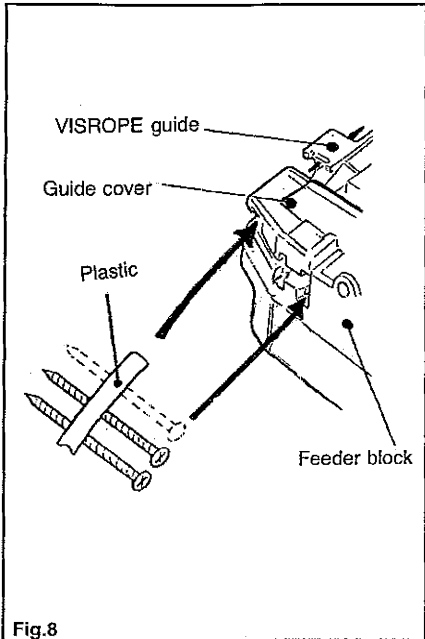


Fig.8

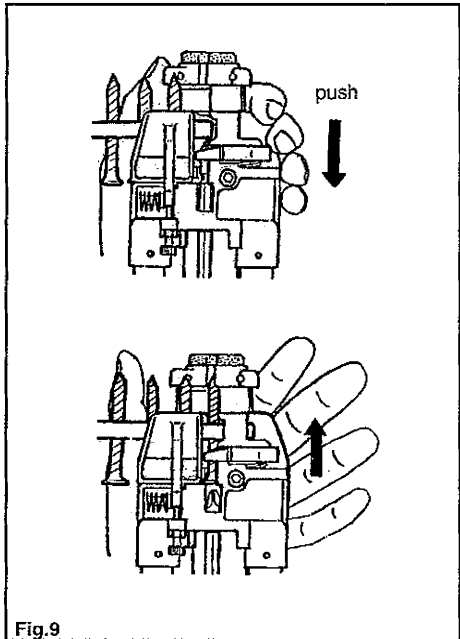


Fig.9

13. Removing the VISROPE screws (Fig. 10)

Move the guide cover sideways and lift it

Pull the **VISROPE** in the direction of arrow and remove the screws (Fig. 10).

Move the guide cover sideways and lift it Holding down the grip finger pull the **VISROPE** in the direction of arrow and remove the screws.

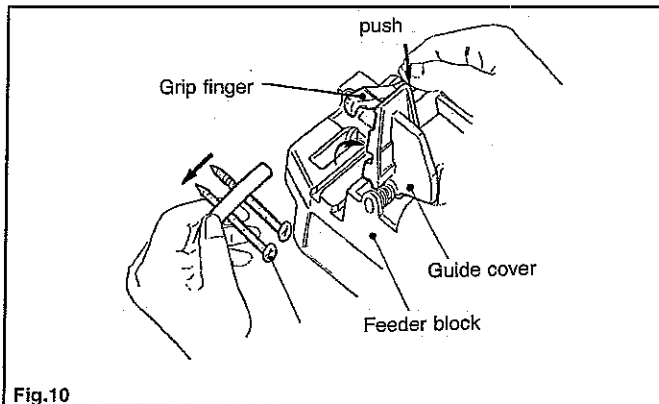


Fig.10

14. Setting the adjusting plate (Fig.11)

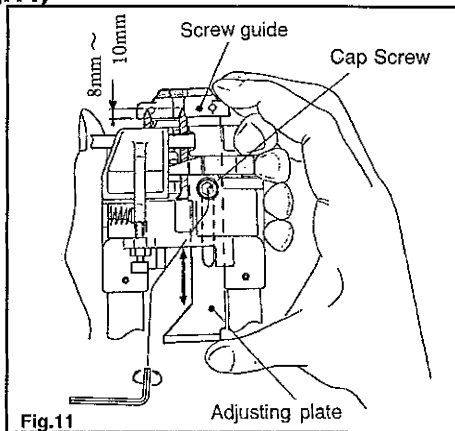
The VISLIDER is provided with the adjusting plate

Set this plate according to the length of the screw. Take the steps below

Loosen the cap screw that is located on the front of the feeder block (at the back)

Slide the adjusting plate until the clearance between this plate and the screw end becomes 2-3 mm (see Fig.11)

Tighten up the cap screw again.



15. Adjusting the guide cover (Fig. 12)

The dimension A of this unit has been factory-adjusted to 10.0 mm

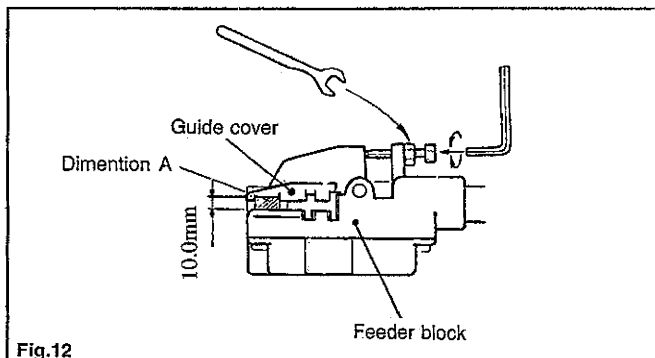
If the clearance between the guide cover and the feeder block is maladjusted, the VISROPE is not fed smoothly

Readjust the clearance according to the VISROPE thickness

To widen the clearance, first loosen the nut and tighten the set-screw

Then hold the set screw and tighten up the nut again.

To narrow the clearance, loosen the nut first and then the set-screw



16. Adjusting the tightening depth (Fig. 13)

The tightening depth is adjusted by turning the adjuster ring

(One turn of the ring makes a 1.5-mm depth)

Turn the ring clockwise, when viewed from above, to reduce the depth

Turn it counterclockwise to increase the depth. Before actual use be sure to test-tighten the screw

to check the result

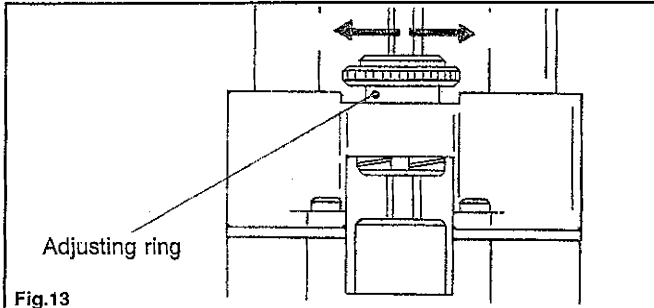


Fig.13

17. Attaching the rod handle (Fig. 14)

Attaching

- (1) Remove the 2 thumb screws off the rod handle bracket
- (2) Fit the rod handle bracket into the VISLIDER grip.
- (3) Tighten up the above 2 thumb screws again.
- (4) Loosen the thumb screw off the shaft, and slide and position the shaft for your convenient handling. Then tighten up the thumb screw. Finally make sure the rod handle is tight in position.

Detaching

Remove the 2 thumb screws off the rod handle bracket and just pull the rod handle from the VISLIDER

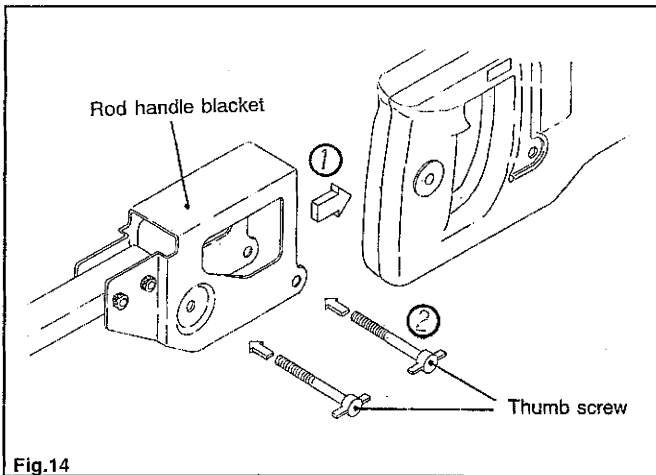


Fig.14

18. Tightening the screws

Pull the trigger to get the unit ready for continuous use. Press the unit straight against a work, and the screw is tightened up.

Notes:

- (1) Be sure to press the unit straight against the work. Otherwise, the screw head may be damaged, the bit may wear out earlier, or the screw may be poorly tightened.
- (2) Keep pressing the unit long enough. If interrupted halfway, the screw may end up loose.
- (3) Do not slow down the unit when pressing. Return it quickly after the screw gets into position.

19. Preventive maintenance (Fig. 15)

(1) Checking the bit

A worn-out bit may deform the head of a screw. Replace the bit, if overused, with new one. The **VISLIDER** is of double-bit type. If one of the bits is damaged, you can use the other.

(2) Checking the lock screws

Check all the lock screws at regular intervals. If any of them is loose, retighten it up. A loose lock screw may result in a serious accident.

(3) Maintaining the motor

The winding of the motor is the heart of the **VISLIDER**. Be very careful not to get the winding scratched, nor allow oil and water on it.

(4) Checking the carbon brushes (Fig. 15)

A worn-out carbon brush may get the motor in trouble.

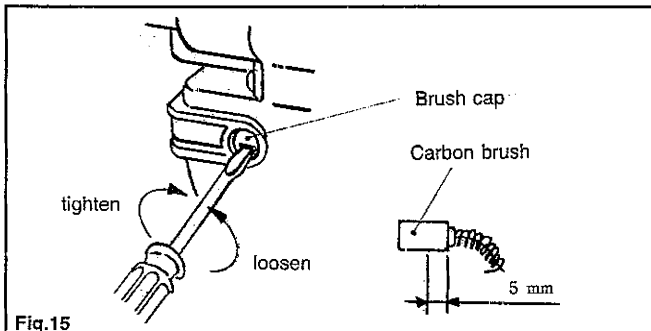
When the carbon brushes have reached their wear limit (5 mm), replace them earlier with new ones. Clean up the carbon brushes and make sure they move smoothly inside the brush holder.

(5) Replacing the carbon brushes (Fig. 15)

Using a bladed screwdriver, remove the brush cap and take out the carbon brushes. Fit new carbon brushes and place the brush cap back in position. Be sure to replace both the carbon brushes at once.

(6) Lubricating (Fig. 1)

If dust builds up on the grip finger, guide bar or guide ball, the slide does not move smoothly. Clean up these parts and allow a few drops of lube oil onto them in order to keep smooth sliding motion.



20. Warranty

This product will be covered under warranty for 6 months from the date of purchase (excluding the bits and other consumable parts).

If during the 6-month warranty period the unit fails apparently due to defects in material or workmanship, the manufacturer will provide for labor and part(s) and repair the unit or replace part(s) free of charge.

The manufacturer reserves the right to decide whether to replace or repair

Keep the following points in mind, however.

- (1) All travel or shipping expenses and other related expenses to repair this portable unit on site are not covered by this warranty. The user will be charged for such expenses
- (2) The warranty is not valid for any damages that would be caused by the user's careless handling, negligence or misuse (dropping or tampering with the unit, for example).
- (3) The bits are not covered by this warranty either. They have been shipped after their material and workmanship were strictly checked.



MURO NORTH AMERICA INC.

7 Tilbury Crt, Brampton, Ontario, Canada L6T 3T4

Tel: 1-800-665-6876 Fax: (905)451-7936
